



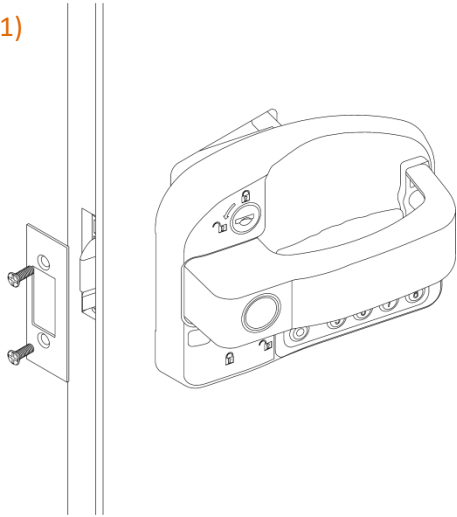
RV MASTER

TRAILER ENTRANCE DOOR LOCK

WITH FINGERPRINT/KEYPAD/KEYS

Installation Manual

(1)

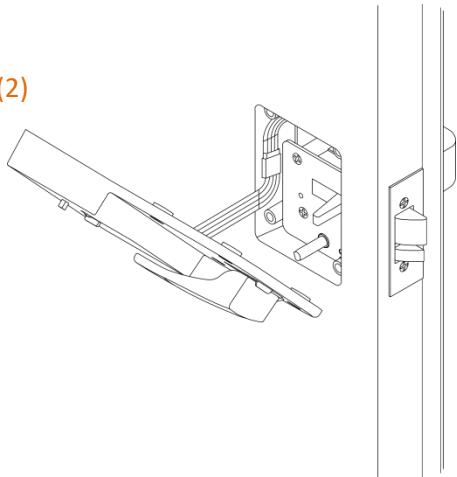


Quick Start Guide

To install the lock

1. Remove the existing lock.
2. Position the exterior lock assembly (with keypad) on the outside of the door, ensuring the plunger assembly is positioned at the edge of the door as shown(1).
3. Using the 2#8-32x12mm flat head screws provided, install the door edge cover on the edge of the door. Ensure the door edge cover is flush to the edge of the door.
4. Connect the cable attached to the interior lock housing to the cable attached to the exterior lock housing. Position the cable inside the door as shown(2) to avoid pinching and binding.
5. Position the interior lock assembly on the door, ensuring:
 - The deadbolt post is inserted in the red deadbolt lever so that the lever operates the deadbolt.
 - The interior handle post is positioned on the door edge side of the latch tab so that the handle operates the latch.
 - The 4 screw posts on the interior housing align with the 4 screw bosses on the exterior housing. Do not overtighten the screws.
6. Secure the lock housings with the 4 #8-32x15mm flat head screws provided.
7. Ensure the handle operates the latch and the red deadbolt lever operates the deadbolt.
8. Check that the strike plate is properly aligned with the lock. The plunger should extend fully into the strike plate when the door is locked.

(2)



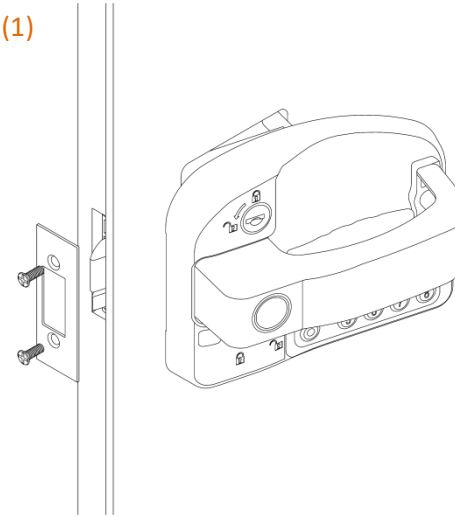
RV MASTER

TRAILER ENTRANCE DOOR LOCK

WITH FINGERPRINT/KEYPAD/KEYS

Installation Manual

(1)



Quick Start Guide

To install the lock

1. Remove the existing lock.
2. Position the exterior lock assembly (with keypad) on the outside of the door, ensuring the plunger assembly is positioned at the edge of the door as shown(1).
3. Using the 2#8-32x12mm flat head screws provided, install the door edge cover on the edge of the door. Ensure the door edge cover is flush to the edge of the door.
4. Connect the cable attached to the interior lock housing to the cable attached to the exterior lock housing. Position the cable inside the door as shown(2) to avoid pinching and binding.
5. Position the interior lock assembly on the door, ensuring:
 - The deadbolt post is inserted in the red deadbolt lever so that the lever operates the deadbolt.
 - The interior handle post is positioned on the door edge side of the latch tab so that the handle operates the latch.
 - The 4 screw posts on the interior housing align with the 4 screw bosses on the exterior housing. Do not overtighten the screws.
6. Secure the lock housings with the 4 #8-32x15mm flat head screws provided.
7. Ensure the handle operates the latch and the red deadbolt lever operates the deadbolt.
8. Check that the strike plate is properly aligned with the lock. The plunger should extend fully into the strike plate when the door is locked.

(2)

